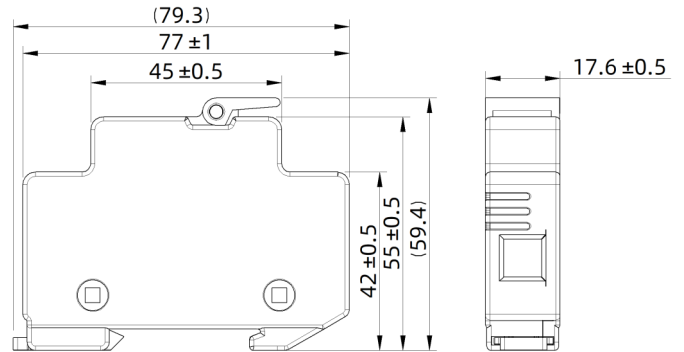


Fuse Holder

CFH10M Series




Dimensions (mm)



Key Features

- Size: 79.3 x 17.6 x 59.4 mm
- Mounting: TH35 Rail
- RoHS and REACH Compliant, Pb Free

Agency Information

Agency Symbol	Standards	The File No. and certification No. obtained by SETsafe SETfuse
	UL 4248-1 UL 4248-19	Pending

Applications

- Surge Protective Device (SPD)

Matching Fuse

Model: LFR10 -xA04-CF

Specifications

- Rated Voltage: 1000 VDC
- Rated Breaking Capacity: 33 kA
- Copper Conductor Specifications: 0.8 ~ 8.4 mm²
- Torque: 2.8 N·m
- Protection Level: IP20
- Allowable Operating Temperature of Copper Conductors: 75 / 90 °C
- Flame Rating: UL 94-V0

